

The MTJ3 is a paddle style, analog mini-lever. This lever focuses on compact design, weather resistance and safety.

The MTJ3 is a small single-axis joystick 0.5 - 4.5 Vdc, intended for the proportional control of one double acting hydraulic function. The combination of a mini lever and armrest can provide substantial ergonomic benefits. It can be mounted in the armrest or on the dashboard in mobile vehicles. It is easily actuated with a fingertip for good ergonomics.

The MTJ3 is lightweight with small installation dimensions. It also has low, well-adapted forces designed in for ease of operation in close quarters.



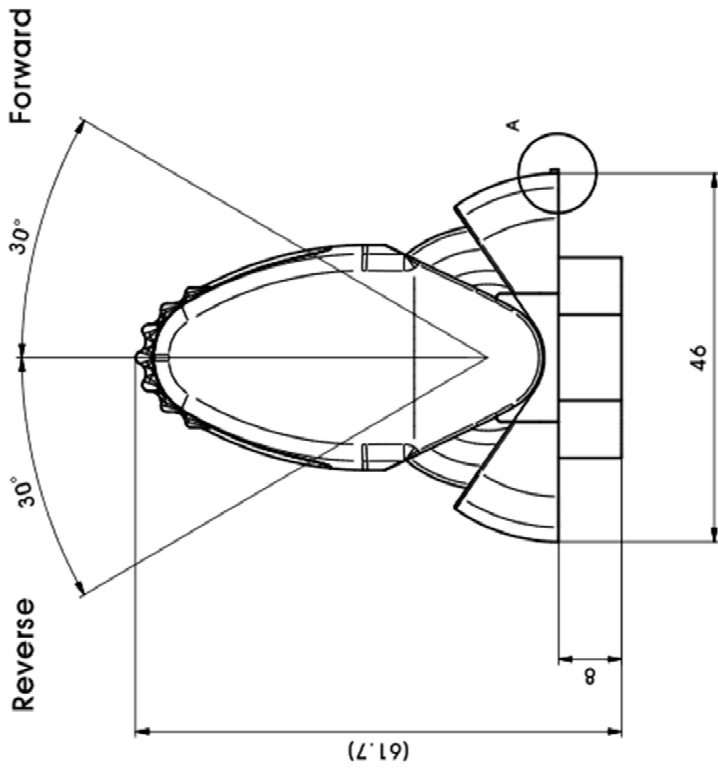
## SPECIFICATIONS

<b>General</b>	Weight	55 g
	Rated Power Supply(Vs)	5 Vdc
	Load resistive (min.)	10 KΩ
	Load capacitive (max.)	4.7 uF
	Current consumption	8mA (Normal), 10mA (Max)
<b>Mechanical</b>	Angle of movement	±30°
	Expedtec life (operations)	1 Million
<b>Environment</b>	Operating temperature	-40° to 85 °C
	Sealing	IP66
<b>Analog outputs</b>	Active range (VDC out)	10% to 90 %Vs
<b>Connectors</b>	As per customer's demand	
<b>Material</b>	Housing	ABS
	Lever	ABS (Black) + TPE Over Molding

Part No. -

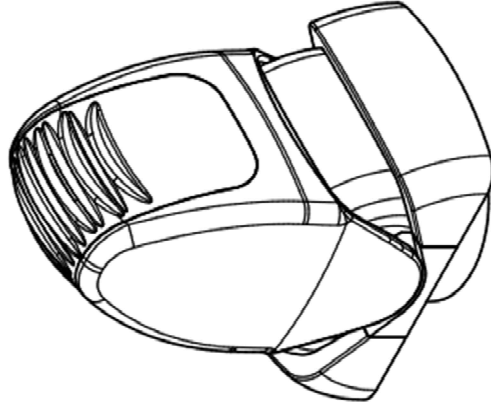
REVISION HISTORY

REV	DESCRIPTION	DATE	DR	RE	AP
0	Issued	22.Jan.21	J.H.Park	J.I.Kim	J.H.Lee

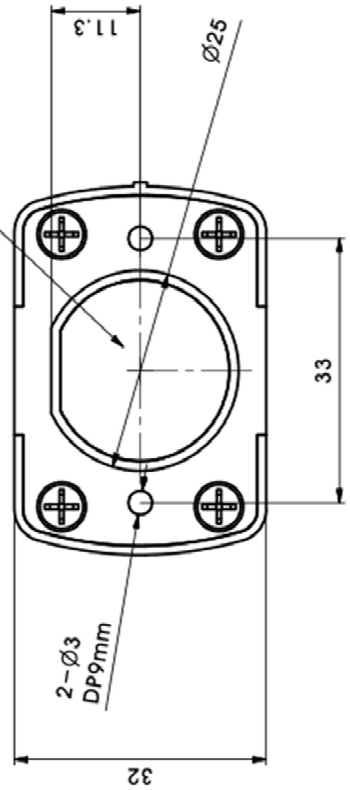


A (3:1)

Forward Mark



Epoxy Molding



ComeSys

Control & Measurement Systems Limited

Control & Measurement Systems Limited

The information contained in this drawing is the property of Control & Measurement Systems Limited. It is to be used for the purpose of manufacturing only and is not to be reproduced or transmitted in any form or by any means, electronic, mechanical, photocopying, recording, or by any information storage and retrieval system, without the prior written permission of Control & Measurement Systems Limited.

Info@comesys.net

Do Not Scale

Third Angle Projection

Sheet 1 of 1

Part Name

Finger Tip Joystick

Part Number

J3

Material

Part & Surface Treatment

Weight

55

Customer Part No.

Revision

0