

MTJ7 is ideal for use in joystick grips and the keypads of industrial machinery due to its flat, simple design.

The thumbwheel can be mounted in joysticks for the control of operational functions, such as those on forklifts, wheel loaders and AGG machinery.



SPECIFICATIONS

General	Weight	20 g
	Rated Power Supply(Vs)	5 Vdc
	Load resistive (min.)	10 KΩ
	Load capacitive (max.)	4.7 uF
	Current consumption	8mA (Normal), 10mA (Max)
Mechanical	Angle of movement	±20°±2°
	Expected life (operations)	10 Million
Environment	Operating temperature	-40° to 85 °C
	Sealing	IP67
Analog outputs	Active range (VDC out)	10% to 90 %Vs
Connectors	As per customer's demand	
Material	Housing	PA66+GF30%
	Lever	ABS (Orange)

Part No. -

REV
0

DESCRIPTION
Issued

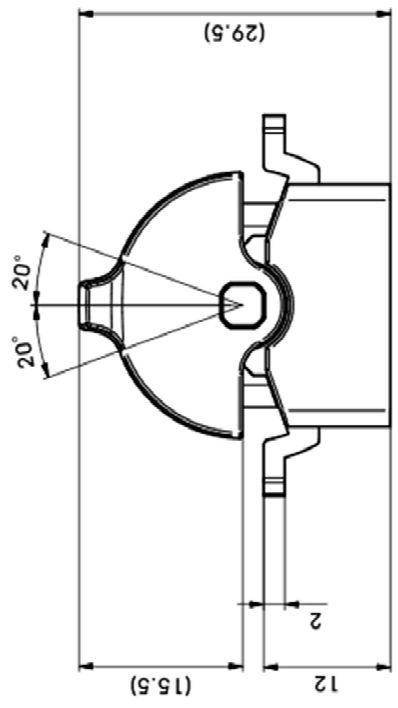
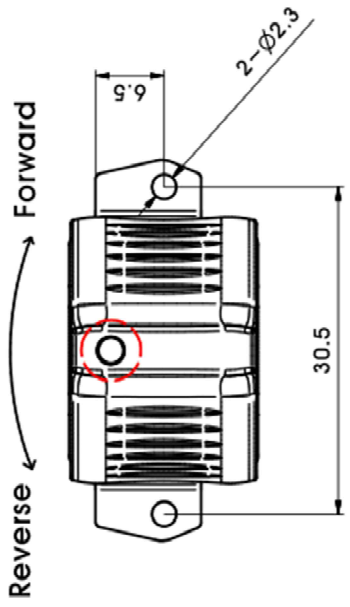
DATE
22.Jan.21

DR
J.H.Park

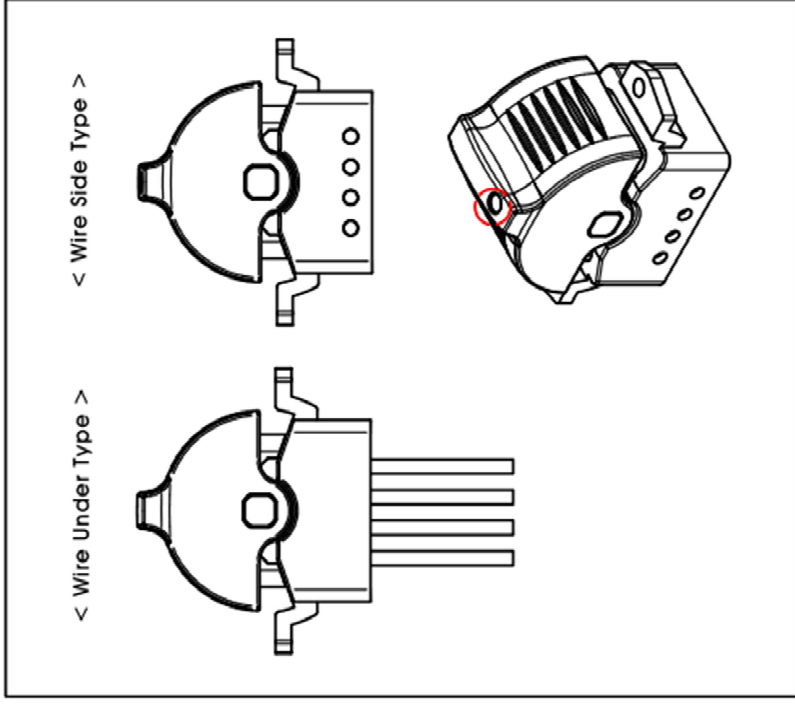
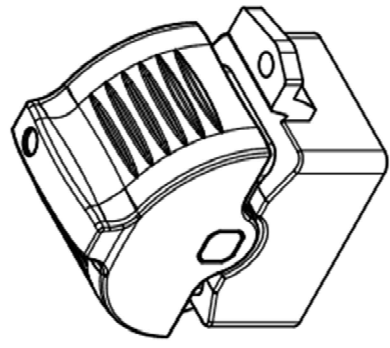
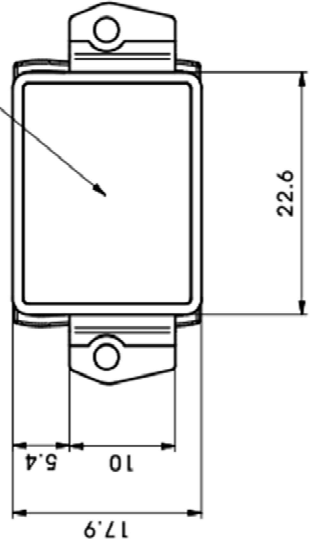
RE
J.I.Kim

AP
J.H.Lee

REVISION HISTORY



Epoxy Molding



ComeSys

Control & Measurement Systems Limited

ThumbWheel

REV	0	DATE	22.Jan.21	DR	J.H.Park	RE	J.I.Kim	AP	J.H.Lee
<p>Control & Measurement Systems Limited 111, Seongnam-daero, Seongnam-si, Gyeonggi-do, Korea Tel: +82-31-270-1111, Fax: +82-31-270-1112, E-mail: info@comesys.com, www.comesys.com</p>									
Part No.	ThumbWheel								
REV	0	DATE	22.Jan.21	DR	J.H.Park	RE	J.I.Kim	AP	J.H.Lee
Part No.	ThumbWheel								
REV	0	DATE	22.Jan.21	DR	J.H.Park	RE	J.I.Kim	AP	J.H.Lee
Part No.	ThumbWheel								